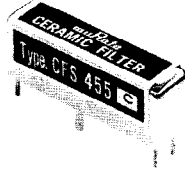


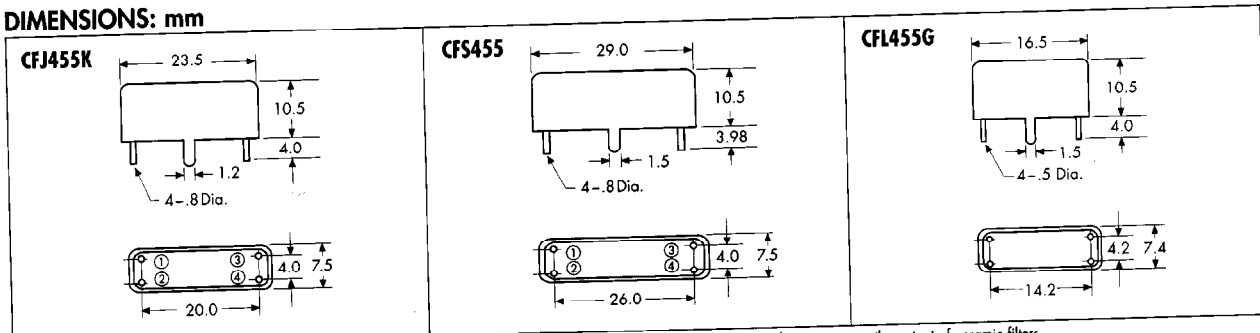
FILTERS FOR COMMUNICATIONS EQUIPMENT—RESIN MOLDED, MULTI-ELEMENT—CFJ/CFS/CFL455kHz



The following lines of filters are high performance devices that achieve ultimate stopband attenuation through the use of multiple piezoelectric elements connected in ladder form. A few of the recommended applications for these filters include high class receivers, SSB communications equipment, pocket pagers and mobile radios.

- CFJ455K 11 Ceramic Elements
- CFS455 15 Element Filters
- CFL455 9 Element Filters (GDT Improved)

DIMENSIONS: mm

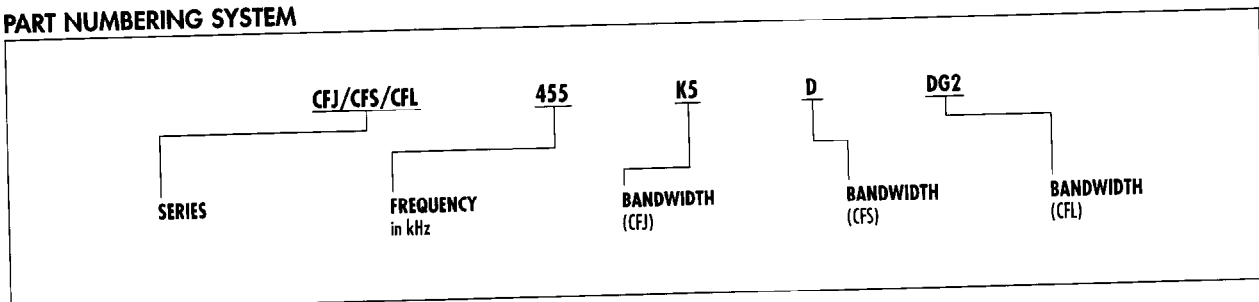


Note: For safety purposes, connect the output of filters to the IF amplifier through a DC blocking capacitor. Avoid applying a direct current to the output of ceramic filters.

SPECIFICATIONS

Part Number	Nominal Center Frequency (kHz)	3dB Bandwidth (kHz) min.	6dB Bandwidth (kHz) min.	Ripple (dB) max.	Bandwidth		Attenuation 455±100kHz (dB) min.	Spurious 0.1~1MHz (dB) min.	Insertion Loss (dB) max.	Input/Output Impedance (Ω)	Group Delay Time Dev. sec. max. (kHz)
					(kHz) max.	At (dB)					
CFJ455K5	455	—	2.4 (Total)	2	4.5 (Total)	60	—	60 ^{40 at 600 ~ 700kHz}	6	2000	
CFJ455K14	455	—	±1.1 ~ ±1.3	2	4.5 (Total)	60	—	60 ^{40 at 600 ~ 700kHz}	7	2000	
CFJ455K8	455	—	1.0 (Total)	1.5	3.0 (Total)	60	—	—	8	2000	
CFS455A	455	±13	±17.5	3	±30	70	50	4	1500		
CFS455B	455	±10	±15	3	±25	70	50	4	1500		
CFS455C	455	±9	±13	3	±23	70	50	4	1500		
CFS455D	455	±7	±10	3	±20	70	50	4	1500		
CFS455E	455	±5.5	±8	3	±15	70	50	6	1500		
CFS455F	455	±4.2	±6	3	±12	70	50	6	2000		
CFS455G	455	—	±4	3	±9	70	50	7	2000		
CFS455H	455	—	±3	3	±7.5	70	50	8	2000		
CFS455I	455	—	±2	3	±5	70	50	8	2000		
CFS455J	455	—	±1.5	3	±4.5	60	50	8	2000		
CFL455BG5	455	±10.5	±13.5	0.5	±100	60	30	10	1000	25μ.(455±10.5)	
CFL455CG1	455	±9.5	±12.0	0.5	±25.5	60	30	10	1000	35μ.(455±9.5)	
CFL455DG2	455	±7.0	±9.0	0.5	±100	60	30	11	1000	35μ.(455±7)	
CFL455EG1	455	±5.0	±7.0	0.5	±18	60	30	13	1500	30μ.(455±5)	

PART NUMBERING SYSTEM



*Applicable in North American market only. *Applicable in European market only.
For more detailed information regarding this product line in North America, see Catalog No. P-05-D. To receive additional information on Murata Products call 1-800-831-9172.
For more detailed information regarding this product line in Europe, see Catalog No. POSE-8.